

DEMAG AC205 80T

MAIN BOOM

FULLY EXTENDED OUTRIGGERS (7.70m x 7.00m) - 360 DEG.
18t COUNTERWEIGHT

RADIUS	BOOM LENGTHS													
	10.9	16.1	21.4	21.5	25.0	25.0	31.2	31.8	37.1	37.2	42.3	42.5	46.1	50.0
3	80.0 *													
3	70.0													
3.5	64.7	50.0												
4	59.6	50.0	40.0	17.0										
4.5	55.2	50.0	38.0	17.0	30.0	16.0								
5	51.3	47.6	35.5	17.0	30.0	16.0	17.0	15.0						
6	42.2	41.8	31.7	17.0	28.9	16.0	17.0	14.4	15.0	11.0				
7	35.2	34.9	28.6	17.0	26.1	16.0	17.0	13.4	14.7	11.0	11.0	8.0		
8	28.4	29.8	26.0	17.0	23.5	16.0	17.0	12.4	14.1	11.0	11.0	8.0	8.0	
9		25.8	23.6	17.0	21.2	16.0	17.0	11.5	13.5	11.0	11.0	8.0	8.0	6.0
10		22.1	21.2	16.9	19.1	16.0	16.1	10.6	12.9	10.8	11.0	8.0	8.0	6.0
12		16.2	15.3	15.4	15.3	14.8	13.9	9.3	11.5	9.6	10.8	8.0	7.8	6.0
14			11.6	13.8	11.6	13.1	12.1	8.3	10.2	8.5	9.8	7.3	7.5	5.9
16			9.1	11.3	9.0	10.8	10.5	7.4	9.1	7.5	8.6	6.6	7.1	5.7
18			7.2	9.3	7.1	8.9	8.5	6.7	8.1	6.7	7.6	6.0	6.7	5.4
20					5.6	7.4	7.1	6.2	7.4	5.9	6.8	5.4	6.1	5.0
22							5.9	5.7	6.3	5.3	6.2	4.9	5.6	4.6
24							4.9	5.2	5.3	4.8	5.2	4.5	5.1	4.2
26							4.1	4.8	4.5	4.4	4.3	4.1	4.5	3.8
28									3.8	4.0	3.6	3.8	3.8	3.5
30									3.2	3.5	3.0	3.5	3.2	3.2
32									2.6	3.0	2.5	3.0	2.7	2.7
34											2.1	2.5	2.3	2.3
36											1.7	2.2	1.9	1.9
38											1.3	1.8	1.5	1.5
40													1.2	1.2
42													0.9	0.9
44														0.6

This chart provided by Prime Crane Services as an indicative guide only.
You must check capacities with the crane owner before use.

Use at own risk.

Email prime@westnet.com.au for more info.

DEMAG AC205 80t

FOLDING JIB - 360 deg

FULLY EXTENDED OUTRIGGERS (7.70m x 7.00m)

18t COUNTERWEIGHT

MAIN BOOM - 46.1m

RADIUS	FOLDING JIB					
	9.2			17.6		
	0	20	40	0	20	40
10	3.8					
12	3.8			1.5		
14	3.8	3.4		1.5		
16	3.8	3.4	3.0	1.5		
18	3.7	3.2	2.9	1.5	1.4	
20	3.6	3.1	2.8	1.5	1.4	
22	3.4	3.0	2.7	1.4	1.4	
24	3.2	2.8	2.6	1.4	1.4	1.2
26	3.0	2.7	2.5	1.3	1.4	1.1
28	2.9	2.5	2.4	1.3	1.3	1.1
30	2.7	2.3	2.3	1.3	1.3	1.1
32	2.5	2.2	2.2	1.2	1.2	1.1
34	2.4	2.1	2.0	1.2	1.2	1.1
36	2.1	2.0	1.9	1.1	1.2	1.0
38	1.7	1.9	1.8	1.1	1.1	1.0
40	1.4	1.6	1.7	1.1	1.1	1.0
42	1.1	1.3		1.0	1.1	1.0
44	0.9	1.0		1.0	1.0	1.0
46	0.7	0.8		0.9	1.0	1.0
48					0.9	1.0
50					0.7	

MAIN BOOM - 50.0m

RADIUS	FOLDING JIB					
	9.2			17.6		
	0	20	40	0	20	40
2.8						
2.8	2.8			1.0		
2.8	2.8	2.6		1.0		
2.8	2.7	2.5		1.0		
2.7	2.5	2.4		1.0	1.0	
2.5	2.4	2.3		1.0	1.0	
2.4	2.3	2.1		1.0	1.0	1.0
2.2	2.1	2.0		1.0	1.0	1.0
2.1	2.0	1.9		1.0	1.0	1.0
2.0	1.9	1.8		0.9	1.0	1.0
1.9	1.8	1.7		0.9	1.0	1.0
1.8	1.7	1.6		0.8	0.9	1.0
1.7	1.6	1.5		0.8	0.9	0.9
1.6	1.5	1.5		0.8	0.8	0.9
1.4	1.5	1.4		0.8	0.8	0.8
1.1	1.2			0.7	0.8	0.8
0.8	1.0			0.7	0.8	0.8
0.6	0.7			0.7	0.7	0.7
				0.6	0.7	0.7
				0.6		

This chart provided by Prime Crane Services as an indicative guide only.

You must check capacities with the crane owner before use.

Use at own risk.

Email prime@westnet.com.au for more info.

DEMAG AC205 80T

MAIN BOOM

NO OUTRIGGERS

FREE ON WHEELS, 0 deg. OVER REAR

RADIUS	18t Counterweight		8t Counterweight		5t Counterweight	
	MAIN BOOM		MAIN BOOM		MAIN BOOM	
	10.9	16.1	10.9	16.1	10.9	16.1
4	12.5	12.3	12.0	11.7	11.8	11.6
4.5	11.3	11.1	10.8	10.5	10.6	10.3
5	10.2	10.0	9.7	9.5	9.5	9.3
6	8.4	8.2	7.9	7.7	7.8	7.5
7	7.0	6.7	6.5	6.3	6.4	6.2
8	5.8	5.5	5.4	5.2	5.3	5.1
9		4.6		4.2		4.0
10		3.8		3.5		3.2
12		2.5		2.2		1.8

This chart provided by Prime Crane Services as an indicative guide only.

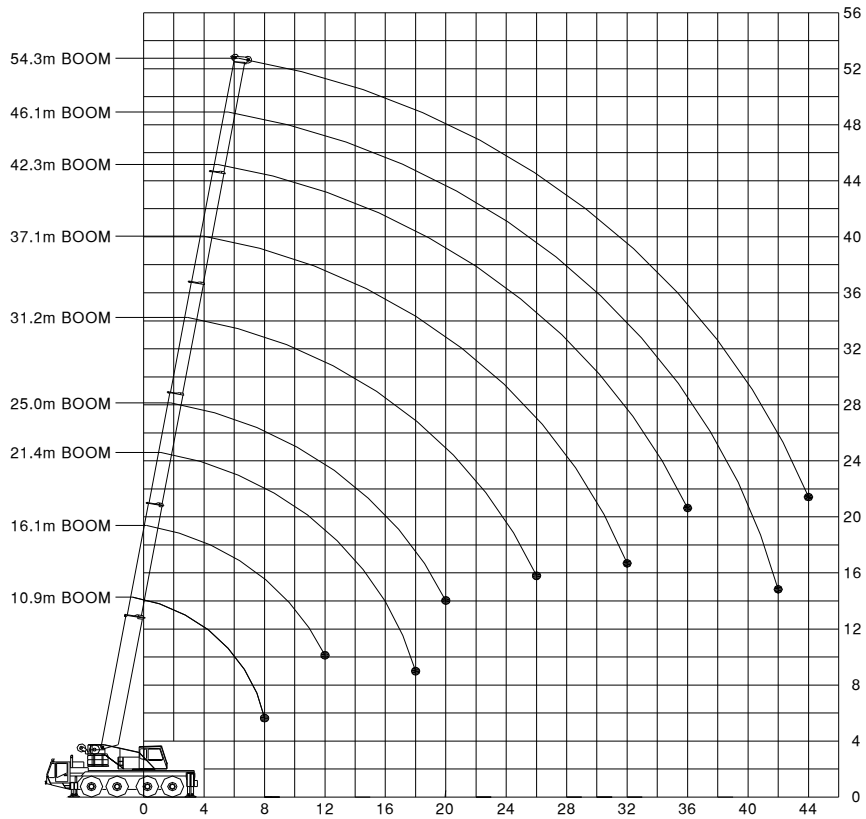
You must check capacities with the crane owner before use.

Use at own risk.

Email prime@westnet.com.au for more info.

DEMAG AC205 80T

MAIN BOOM RANGE CHART



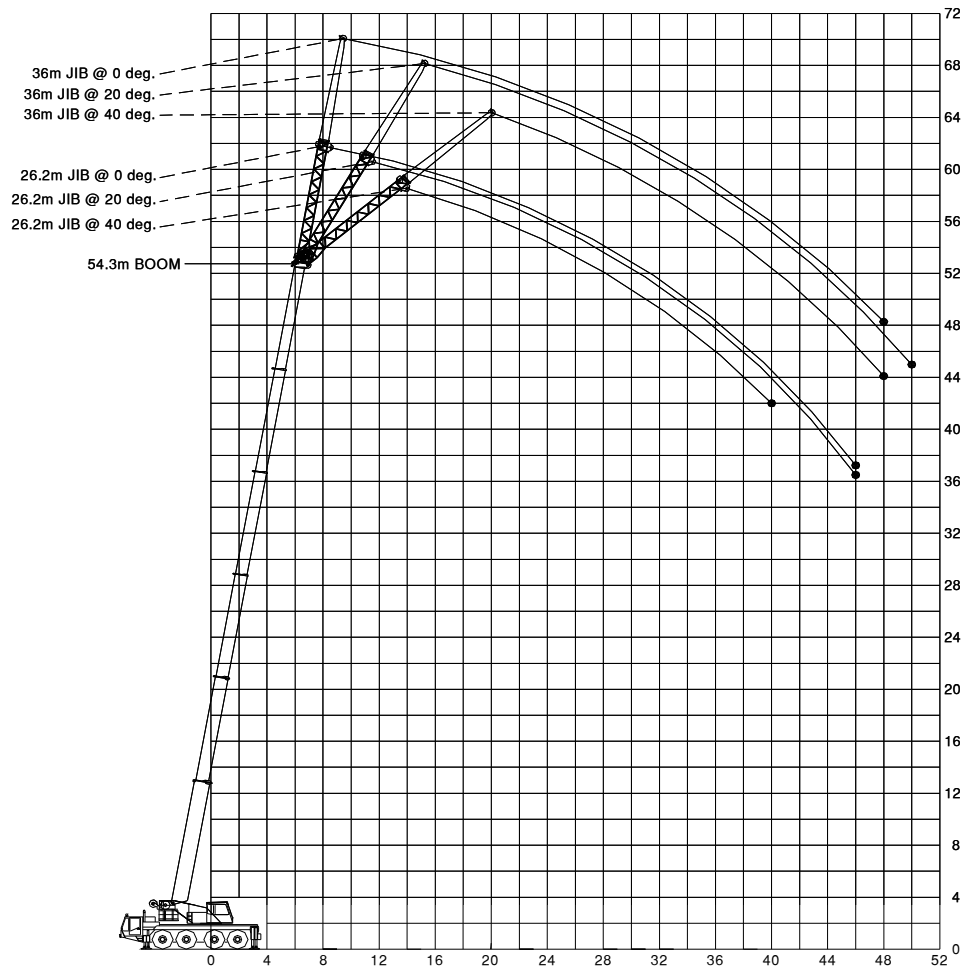
This chart provided by Prime Crane Services as an indicative guide only.
 You must check capacities with the crane owner before use.

Use at own risk.

Email prime@westnet.com.au for more info.

DEMAG AC205 80T

FLY JIB RANGE CHART



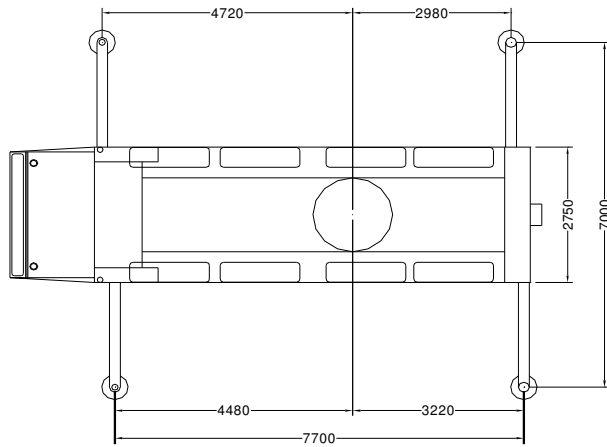
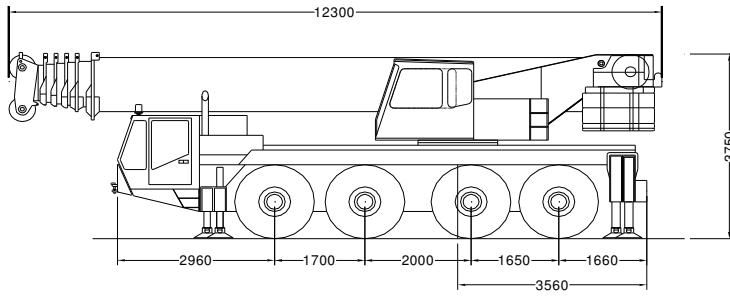
This chart provided by Prime Crane Services as an indicative guide only.
 You must check capacities with the crane owner before use.

Use at own risk.

Email prime@westnet.com.au for more info.

DEMAG AC205 80T

DIMENSIONS



This chart provided by Prime Crane Services as an indicative guide only.
You must check capacities with the crane owner before use.
Use at own risk.
Email prime@westnet.com.au for more info.